

4-Pole and 6-Pole CT Shorting Blocks

**DIN RAIL MOUNTED, CURRENT TRANSFORMER
SHORTING BLOCK**

MODEL: EI-30CT04DR/EI-30CT06DR



Description

EIG offers two options for CT shorting for meter installation:

- 4-pole Block Part #: EI-30CT04DR
- 6-pole Block Part #: EI-30CT06DR.

These shorting blocks are designed to be a superior alternative to the traditional shorting block. They uniquely have captive hardware to prevent lost grounding screws. This design protects against errors, ensuring inherently safer installation or removal of meters from service. The CT shorting blocks indicate clearly when the screw is engaged and the circuit shunted. They are mounted using a traditional DIN mount for faster installation.

Features

- Captive hardware.
- Finger safe covers.
- DIN rail mounted.
- Safer than traditional shorting blocks.
- Easier to install.

Physical Specifications

.562 Line to Line Spacing

Wire Range #10-#18 AWG Copper

Crimp Ring Lug or Spade Lug

Electrical Ratings

Current: 30 A (50/60 Hz or DC)

Voltage: 600 Volts AC/DC UL 1059 Class C, User Group-General Industrial

D.W.V. 4000 Volts RMS

Factory and Field Wiring

Short Circuit Current Rated At 10,000 A

Mechanical Ratings

Maximum Insulator Base Temperature:

- Continuous +300 °F (+149 °C)
- Short Term +338 °F (+170 °C)

Storage and Transportation Temperature

- +257 °F (+125 °C) to -55 °F (-48 °C)

Flammability Rating of Insulator: UL 94 VO

- Use outside these ranges needs to be evaluated based on end use

Materials

Connector

- Brass Per QQ-B-613
- Cu Flash with Nickel Plate Per QQ-N-290
- 8-32 Threaded Terminations

Insulator

- Glass Reinforced Polyester (Modified) Free of Halogens, Fluorocarbons, Chlorinated Hydrocarbons, Silicone, Asbestos, Cadmium and Formaldehyde

Screws

- 8-32 (Torque 10-12 LB. In/1.1-1.4 N-M)
- Brass Per QQ-W-321
- Cu Flash with Nickel Plate Per QQ-N-290

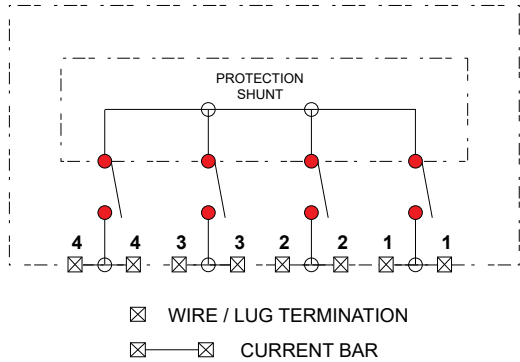
CT Shorting Circuit Bar

- Brass, tin plated

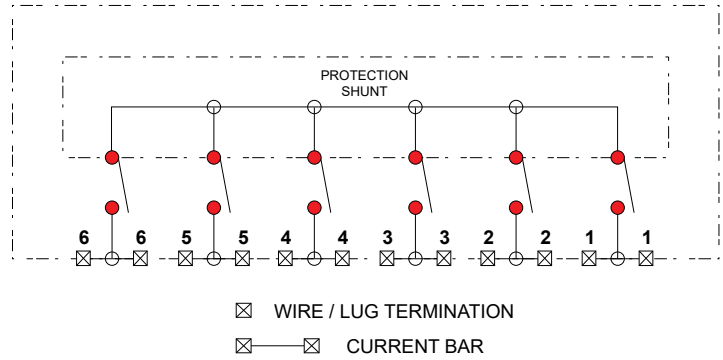


Wiring Diagrams

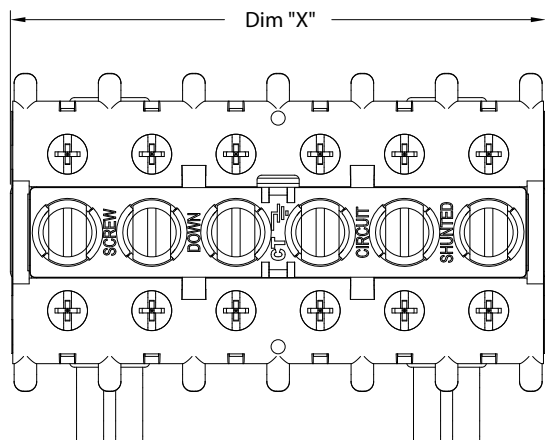
30CT 04 - Shunt Off/Open Unwired



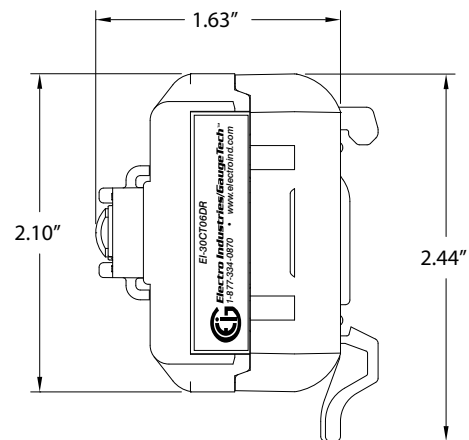
30CT 06 - Shunt Off/Open Unwired



Front Dimensions



Side Dimensions



Features

- UL Certified
- RoHS Compliant 2002/95/EC

Ordering Information

Model: EI-30CT04DR	4-Pole CT Shorting Block
Model: EI-30CT06DR	6-Pole CT Shorting Block

No. of Poles	Dimension "X"	Part No.
4	2.40"	EI-30CT04DR
6	3.50"	EI-30CT06DR

To Order Online

<https://www.electroind.com/product/4-pole-and-6-pole-ct-shorting-blocks/>

1800 Shames Drive
Westbury, NY, 11590

1-877-EIMETER
(1-877-346-3837)

Tel: 516-334-0870
Fax: 516-338-4741

Email: EIG_sales@hubbell.com
Website: www.electroind.com

